



The Evolve stainless steel bracket system features a two piece bracket, metal injection moulded from advanced 17-4 low nickel alloy brazed to an 80 gauge mesh base. The bracket slot is CNC milled and finished with an advanced polishing process resulting in a perfectly smooth slot.

Also available with gingivally offset bicuspid brackets. Available in .018 and .022 Roth\* and MBT\*.



**BEST SELLERS**

**Ultra Low Friction Slot**

CNC manufactured slot and advanced polishing process creates mirror finish by removing high surface peaks at molecular level.



**Bevelled Tie Wings**

To reduce visibility from the front without compromising on strength.

**Mushroom shaped hook**

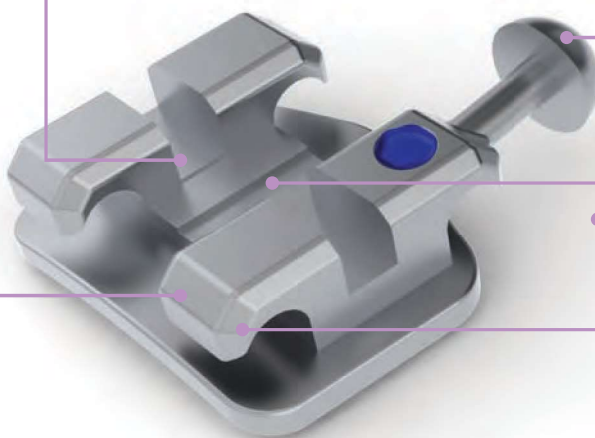
Secures chains and attachments and prevents slipping in between patient appointments.

**Centre Scribe Line**

For accurate placement in line with the axis of the tooth.

**Rounded Tie Wings**

For patient comfort

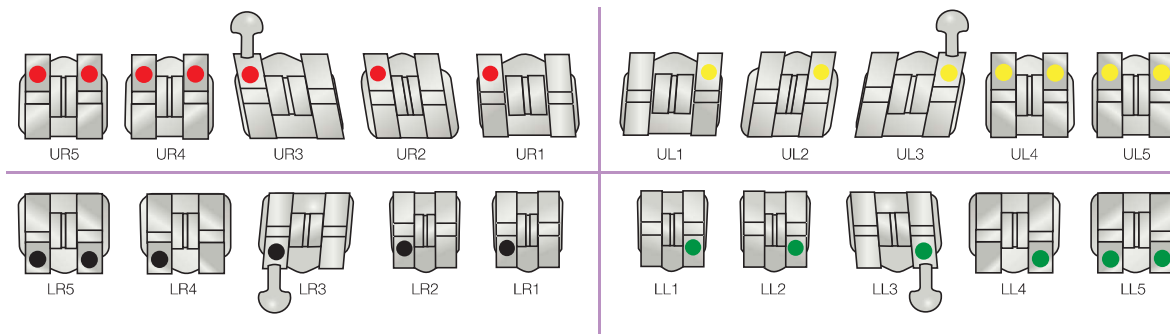


Bracket Kits	Code
Evolve MBT .022 Hks 3, 4, 5	<b>DB16-0260</b>
Evolve MBT .022 Hks 3	<b>DB16-0261</b>
Evolve MBT .022 Hks 3, 4 & 5 offset	<b>DB16-0262</b>
Evolve MBT .022 No Hks	<b>DB16-0263</b>
Evolve MBT .018 Hks 3, 4, 5	<b>DB16-0264</b>
Evolve MBT .018 Hks 3	<b>DB16-0265</b>
Mini Bracket Kits	Code
Evolve Mini MBT .022 Hks 3, 4, 5	<b>DB16-0360</b>
Evolve Mini MBT .022 Hks 3	<b>DB16-0361</b>
Evolve Mini MBT .018 Hks 3, 4, 5	<b>DB16-0362</b>
Evolve Mini MBT .018 Ant .022 3, 4, 5 W/Hks	<b>DB16-0363</b>

Bracket Kits	Code
Evolve Roth .022 Hks 3, 4, 5	<b>DB16-0250</b>
Evolve Roth .022 Hks 3	<b>DB16-0251</b>
Evolve Roth .018 Hks 3	<b>DB16-0252</b>
Evolve Roth .018 No Hks	<b>DB16-0253</b>
Evolve Roth .022 Hks 3, Offset 4 & 5	<b>DB16-0254</b>
Evolve Roth .018 Hks 3, 4, 5	<b>DB16-0255</b>
Mini Bracket Kits	Code
Evolve Mini Roth .022 Hks 3, 4, 5	<b>DB16-0350</b>
Evolve Mini Roth .022 Hks 3	<b>DB16-0351</b>
Evolve Mini Roth .018 Hks 3, 4, 5	<b>DB16-0352</b>
Evolve Mini Roth .018 Hks 3	<b>DB16-0353</b>



ID marks with enhanced colours for easy identification.



\*The prescriptions are not implied to be an exact version of any other system, nor do we claim any endorsement by the doctor(s).



## MBT\* Prescription .022

## Roth\* Prescription .022

Maxillary Arch	Torq°	Angle°	Width (mm)	Code	Torq°	Angle°	Width (mm)	Code
Right Central	17	4	4.0	DB16-0100	12	5	4.0	DB16-0040
Left Central	17	4	4.0	DB16-0101	12	5	4.0	DB16-0041
Right Lateral	10	8	3.0	DB16-0102	8	9	3.0	DB16-0042
Left Lateral	10	8	3.0	DB16-0103	8	9	3.0	DB16-0043
Right Cuspid w/ Hook	-7	9	3.5	DB16-0104	0	11	3.5	DB16-0046
Left Cuspid w/ Hook	-7	9	3.5	DB16-0105	0	11	3.5	DB16-0047
Right Cuspid	-7	9	3.5	DB16-0106	0	11	3.5	DB16-0044
Left Cuspid	-7	9	3.5	DB16-0107	0	11	3.5	DB16-0045
Right Bicuspid	-7	0	3.0	DB16-0108	-7	0	3.0	DB16-0048
Left Bicuspid	-7	0	3.0	DB16-0109	-7	0	3.0	DB16-0049
Right Bicuspid w/ Hook	-7	0	3.0	DB16-0110	-7	0	3.0	DB16-0050
Left Bicuspid w/ Hook	-7	0	3.0	DB16-0111	-7	0	3.0	DB16-0051
Right Bicuspid & Offset	-7	0	3.0	DB16-0112	-7	0	3.0	DB16-0052
Left Bicuspid & Offset	-7	0	3.0	DB16-0113	-7	0	3.0	DB16-0053
Right Bicuspid w/ Hook & Offset	-7	0	3.0	DB16-0114	-7	0	3.0	DB16-0054
Left Bicuspid w/ Hook & Offset	-7	0	3.0	DB16-0115	-7	0	3.0	DB16-0055
Mandibular Arch	Torq°	Angle°	Width (mm)	Code	Torq°	Angle°	Width (mm)	Code
Anterior Right	-6	0	2.5	DB16-0120	0	0	2.5	DB16-0056
Anterior Left	-6	0	2.5	DB16-0121	0	0	2.5	DB16-0057
Right Cuspid	-6	3	3.0	DB16-0122	-11	5	3.0	DB16-0058
Left Cuspid	-6	3	3.0	DB16-0123	-11	5	3.0	DB16-0059
Right Cuspid w/ Hook	-6	3	3.0	DB16-0124	-11	5	3.0	DB16-0060
Left Cuspid w/ Hook	-6	3	3.0	DB16-0125	-11	5	3.0	DB16-0061
Right 1st Bicuspid	-12	2	3.0	DB16-0126	-17	0	3.0	DB16-0062
Left 1st Bicuspid	-12	2	3.0	DB16-0127	-17	0	3.0	DB16-0063
Right 1st Bicuspid w/ Hook	-12	2	3.0	DB16-0130	-17	0	3.0	DB16-0064
Left 1st Bicuspid w/ Hook	-12	2	3.0	DB16-0131	-17	0	3.0	DB16-0065
Right 2nd Bicuspid	-17	2	3.0	DB16-0128	-22	0	3.0	DB16-0066
Left 2nd Bicuspid	-17	2	3.0	DB16-0129	-22	0	3.0	DB16-0067
Right 2nd Bicuspid w/ Hook	-17	2	3.0	DB16-0132	-22	0	3.0	DB16-0068
Left 2nd Bicuspid w/ Hook	-17	2	3.0	DB16-0133	-22	0	3.0	DB16-0069
Right 1st Bicuspid & Offset	-12	2	3.0	DB16-0134	-17	0	3.0	DB16-0070
Left 1st Bicuspid & Offset	-12	2	3.0	DB16-0135	-17	0	3.0	DB16-0071
Right 1st Bicuspid w/ Hook & Offset	-12	2	3.0	DB16-0138	-17	0	3.0	DB16-0072
Left 1st Bicuspid w/ Hook & Offset	-12	2	3.0	DB16-0139	-17	0	3.0	DB16-0073
Right 2nd Bicuspid & Offset	-17	2	3.0	DB16-0136	-22	0	3.0	DB16-0074
Left 2nd Bicuspid & Offset	-17	2	3.0	DB16-0137	-22	0	3.0	DB16-0075
Right 2nd Bicuspid w/ Hook & Offset	-17	2	3.0	DB16-0140	-22	0	3.0	DB16-0076
Left 2nd Bicuspid w/ Hook & Offset	-17	2	3.0	DB16-0141	-22	0	3.0	DB16-0077

\*The prescriptions are not implied to be an exact version of any other system, nor do we claim any endorsement by the doctor(s).